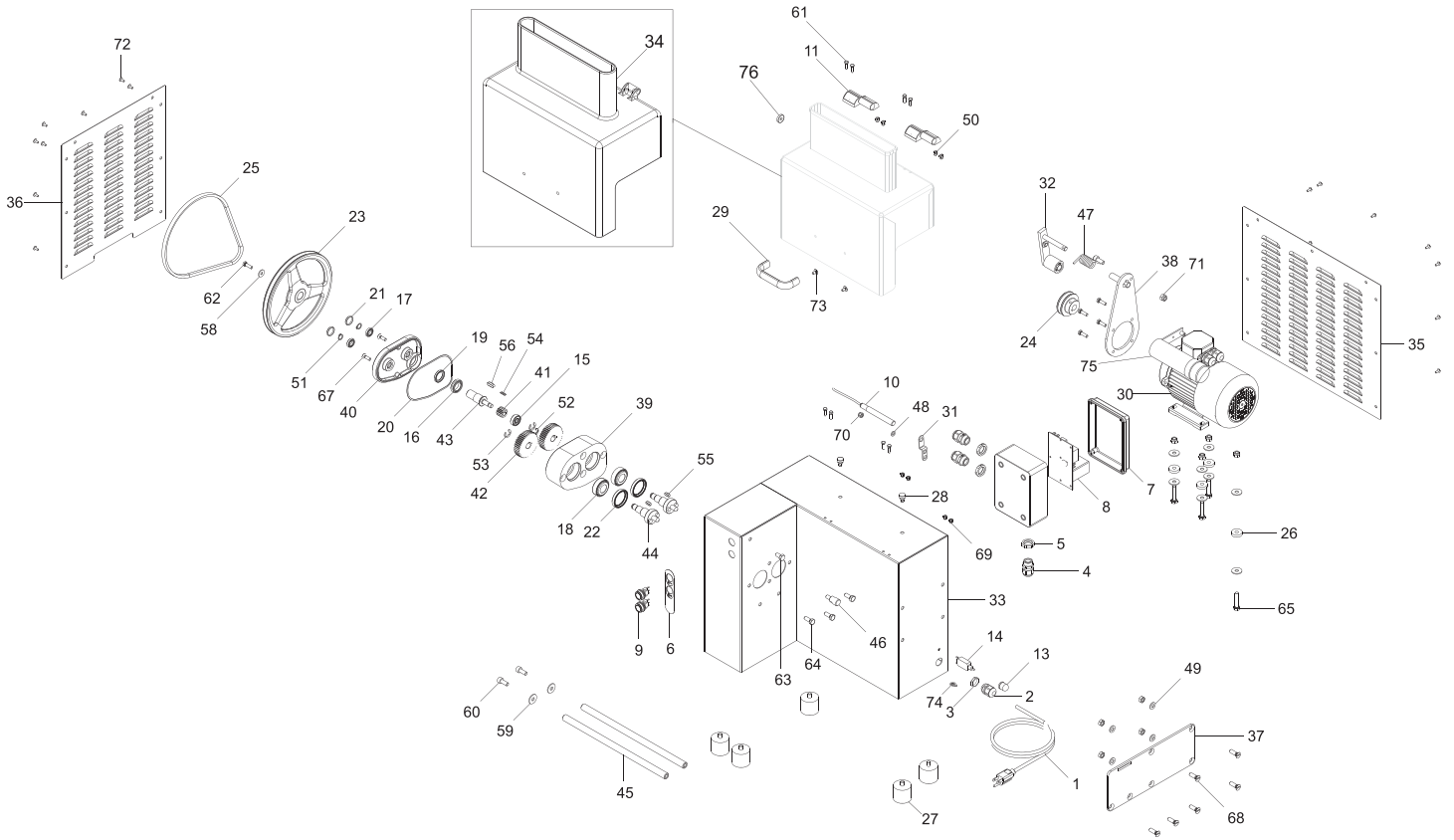


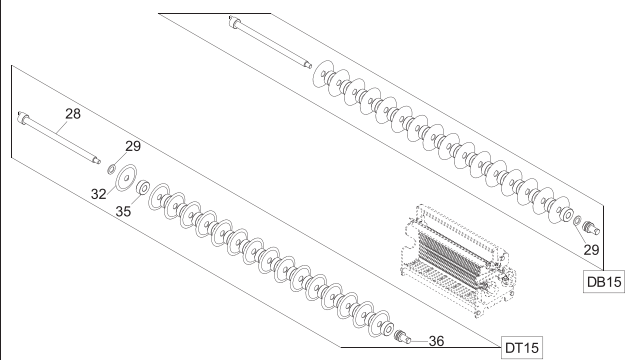
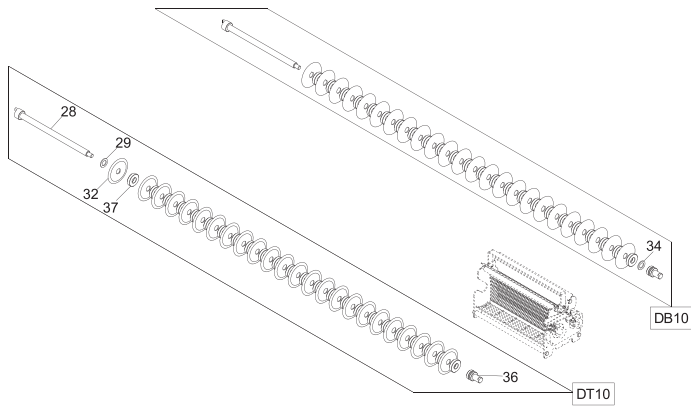
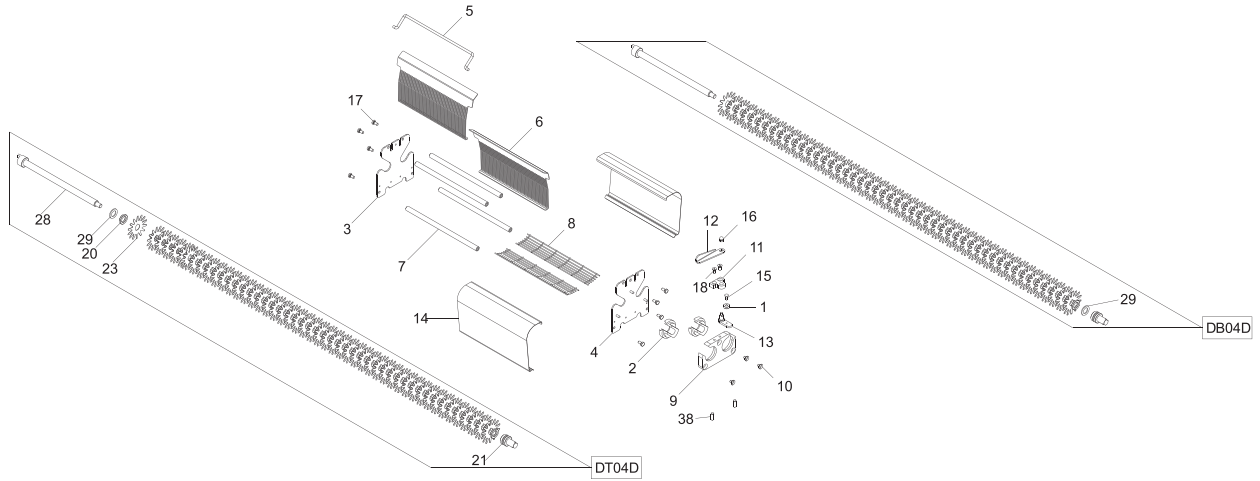
# Parts Breakdown

Model MT-IT-370 47709



# Parts Breakdown

Model MT-IT-370 47709



# Parts Breakdown

## Model MT-IT-370 47709

Item No.	Description	Position	Item No.	Description	Position	Item No.	Description	Position
AN344	Cable 3x14AWG+Plug UL 15A 125V 3MT for 47709	1	61583	Nut Din 1587 M6 for 47709	16	AN391	Carter Closing Post Int.Bis.Aut for 47709	35
AN345	Wheel Release Int.Bis.Aut for 47709	1	AN365	Bearing 61804 2RS for 47709	16	AN392	Carter Closing Side Int.Bis.Aut for 47709	36
61604	Strain Relief + Nut for 47709	2	AN366	Screw TE Din 933 M6x12 T.F. for 47709	17	AN393	Dist. Cutting Blades SP 8 Int.Bis.Aut for 47709	37
AN346	Blades Fixing Knob for 47709	2	AN367	Bearing 61801 2RS for 47709	17	AN394	Support Bracket Rods Basket Int.Bis. Aut for 47709	37
61603	Nut Ott.Nich.PG 11 for 47709	3	AN368	Ball Bearing 32004X for 47709	18	AN395	Supp.Tending x UL CSA Int.Bis.Aut for 47709	38
AN347	Basket Plate TR Blades Int.Bis.Aut for 47709	3	AN369	Screw TSP Din 963 M6x14 for 47709	18	AN396	Input Box Body Bril Int.Bis.Aut for 47709	39
62606	PG 11 Plastic Cable Gland for 47709	4	AN370	Ring 20-30-5 for 47709	19	AN397	Cover Bri Input Box Int.Bis.Aut for 47709	40
AN348	Basket Plate L.Fix.UL Int.Bis.Aut for 47709	4	AN371	Ingr. Case Gasket Fus. Int.Bis.Aut for 47709	20	AN398	Sprocket Z12 M1.5 Int.Bis.Aut for 47709	41
AG288	Plastic Nut PG 13.5 for 47709	5	AN372	Alum.Blade Spacer TH.4.2 for 47709	20	AN399	Sprocket Z40 M1.5 Int.Bis.Aut for 47709	42
AN349	Wire Handle Blades Basket Int.Bis.Aut for 47709	5	AN373	Cap 22/4/C Int.Bis.Aut for 47709	21	AN400	Transmission Shaft Int.Bis.Aut for 47709	43
AM948	Masch.2 Puls. Acc x Capsula Silic. for 47709	6	AN374	Blade Fixing Bushing for 47709	21, 36	AN401	Drive Pin Int.Bis.Aut for 47709	44
AN350	Scraper Comb for 47709	6	AN375	Sealing Ring 3545-7 for 47709	22	AN402	Supp. Auction Cest. Blade Int.Bis.Aut for 47709	45
AN351	Box GW 44276 UL-CSA 150x110x70 for 47709	7	AN376	Eng. Box Pulley Int.Bis.Aut for 47709	23	AN403	Basket Support Pin Int.Bis.Aut for 47709	46
AN352	Cest Union Auction Blades Int.Bis.Aut for 47709	7	AN377	Toothed Blade D.65 4mm for 47709	23	AN404	Belt Tensioner Spring x Cut.Ind/Int.Bis. Aut for 47709	47
AN353	Card TG-TFF01 110-220 60Hz UL for 47709	8	AN378	Pul. Z50 Crankshaft Int.Bis.Aut for 47709	24	62643	Flat Washer Din 125 D 6 for 47709	48
AN354	Prot.Grid Lower Lam. Int.Bis.Aut UL/Man for 47709	8	AN379	Belt Z29 Int.Bis.Aut for 47709	25	62644	Flat Washer Din 125 D 8 for 47709	49
AN355	Stainless Steel Button MSM-19 UL Cut Ind for 47709	9	AN380	Dist. Plast. 25x8.4x6 Motor Int.Bis.Aut for 47709	26	62648	Blind Nut Din 1587 M5 for 47709	50
AN356	Supp Knob Fixed UL Int.Bis.Aut for 47709	9	67560	Rubber Foot 40x35 PM M8x10 for 47709	27	AH813	Retaining Rings DIN 471 D 12E for 47709	51
AH077	Magnetic Sensor Head UL TA for 47709	10	AN381	Rubber Stopper Meat Tray for 47709	28	AN405	Radial Circlips Din 6799 M8 for 47709	52
AN357	Female Screw Stainless Steel Counter-sunk TC- Int.Bis.Aut for 47709	10	AN382	Blades Shaft for 47709	28	AN406	Radial Rings Din 6799 IX 10 for 47709	53
AN358	Hinge Assembly for 47709	11	69205	Handle 236-148 M5 Inter 94 for 47709	29	AN407	Din 6885/A 3x3x16 Tabs for 47709	54
AN359	Supp Blade Pack Release Int.Bis.Aut for 47709	11	AN383	Blade Spacer TH.2 for 47709	29, 34	AN408	Din 6885/A 5x5x15 Tabs for 47709	55
AN360	Blade Pack Release Lever Int.Bis.Aut for 47709	12	AN384	Mot. M71 HP 0.5 B34 4P 110/60 UL for 47709	30	AN409	Din 6885/A 6x6x20 Tabs for 47709	56
AM949	Cover Prot.Termico Monof UL CSA for 47709	13	AN385	Supp. Micro Bending Micro 100W 3A UL for 47709	31	62660	Washer F Wide Din 9021 D 6x18 for 47709	58
AN361	Blade Pack Release Pin Int.Bis.Aut for 47709	13	AN386	Blade D.72 for 47709	32	AN410	Washer Din 9021 D 8x24 for 47709	59
AM950	Protettore Termic. Monof 10A UL CSA for 47709	14	AN387	Ass. Belt Tensioner Cut.Ind./Int. for 47709	32	AN411	Hex.Socket Head Cap Screw M8x20 for 47709	60
AN362	Blade Pack Cover x UL Int.Bis. for 47709	14	AN388	Assembly Fairing Int.Bis.Aut for 47709	33	AN412	Hex.Screw Din 933 M5x16 for 47709	61
AN363	Bearing 629 2RS for 47709	15	AN389	Plastic Cover Int.Bis.Aut for 47709	34	AN413	Hex.Screw Din 933 M6x20 T.F. for 47709	62
AN364	Mouth Protection Support Pin TC for 47709	15	AN390	Dist. Cutting Blades TH 13 Int.Bis.Aut for 47709	35	62662	Screw TE Din 933 M8x16 T.F. for 47709	63

# Parts Breakdown

## Model MT-IT-370 47709

Item No.	Description	Position	Item No.	Description	Position	Item No.	Description	Position
62663	X.Screw Din 933 M8x20 for 47709	64	69216	Self Blocking Nut ES Din 982 M8 Upper for 47709	71	AN420	Tenderizing Blade Assy for 47709	DB04D
AN414	Screw TE Din 933 M8x40 T.F. for 47709	65	62669	Poeliers M4x10 Screw for 47709	72	AN421	Cut Pack 10mm Dist. On Mouth. Int Bis for 47709	DB10
AN415	Screw TSP-Din 963 M6x20 for 47709	67	AM945	Poeliers Screw M5x10 for 47709	73	AN422	Cut Pack 15mm Dist. On Mouth. Int Bis for 47709	DB15
AN416	Screw TSP-Din 963 M8x25 for 47709	68	AN417	Ground Label for 47709	74	AN423	Tenderizing Blade Assy for 47709	DT04D
60079	Self-Locking Nut ES Din 982 M5 High for 47709	69	AN418	25 UF UL Capacitor for 47709	75	AN424	Cut Pack 10mm Dist.On Trans. Int Bis for 47709	DT10
62668	Self-Lock Nut ES Din 982 M6 High for 47709	70	AN419	Magnet Dia.17 M634 NA BA for 47709	76	AN425	Cut Pack 15mm Dist.On Trans. Int Bis for 47709	DT15